

Since 1978



2 Front Street North
 P.O. Box 1134
 Campbellford, ON K0L 1L0
 1-800-794-4493
 TEL.: (705) 653-1304
 FAX: (705) 653-1305
 Email: grahamsracingsilks@gmail.com
 www.grahamsracingsilksinc.com

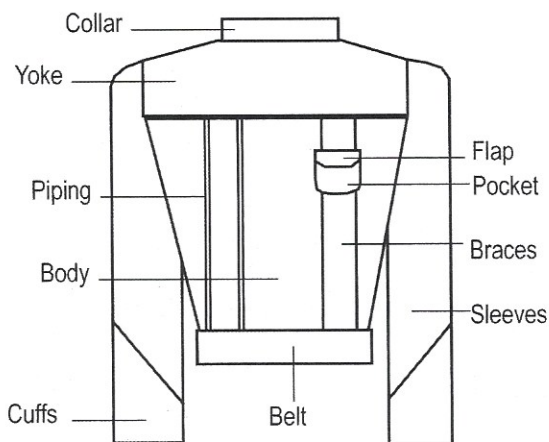
QTY.	ITEMS ORDERED

ORDER DATE:	
AMOUNT	\$
DEPOSIT	\$
BALANCE	\$
CUSTOMER SIGNATURE	

Name _____ Address _____

Please Print

City _____ Prov/State _____ Postal Code _____ Phone _____



Colours	Remarks
Collar	<input type="text"/>
Yoke	<input type="text"/>
Body	<input type="text"/>
Braces	<input type="text"/>
Belt	<input type="text"/>
Sleeves	<input type="text"/>
Cuffs	<input type="text"/>
Pocket	<input type="text"/>
Flap	<input type="text"/>
Piping	<input type="text"/>

INSTRUCTIONS

How to Measure: Please Read Carefully (see over)



1. **Length** - Start at seam A where collar joins shirt and go to B, the top of waist band on trousers



2. **Shoulder Arm Socket** - Start at sleeve seam C to sleeve seam D with arms out front in driving position.



3. **Half Shoulder Width** - Measure from **side of neck E** to shoulder edge **F**.



4. **Sleeve** - Measure from shoulder seam to thumb knuckle.



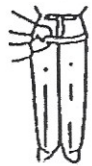
5. **Chest** - taken with coat off. Place tape up under arms and straight across the shoulder blades.



6. **Stomach** - Measure with coat off around the fullest part of stomach area. Fit tape snug to body.



7. **Waist** - With belt off measure around waist line.



8. **Seat** - Snug but not tight.



9. **Front Length** - Start at seam A where collar joins shirt and go to B, the top of waist band on trousers.



10. **Crotch Depth** - from top of pants in front through legs to top of pants in back. (**Not Snug**)



11. **Outseam** - Measure from the top of waistband to top of heel.



12. **Inseam** - Measure from crotch to top of heel.

Height

Weight

Neck Size

Cutting Instructions: FOR OFFICE USE ONLY

Summer	Top _____	Bottom _____
Rain	Top _____	Bottom _____
Spring/Fall	Top _____	Bottom _____
Winter	Top _____	Bottom _____
	Jacket _____	Pants _____

Note: If you wear a safety vest, please indicate in the Remarks box on the other side of this form.

MEASURING INSTRUCTIONS

Please measure carefully: Alterations for incorrect measurements will be charged accordingly.

An instructional video is available on youtube.com. Search Graham's Racing Silks Inc.

Do not add extra to measurements. If you want extra room, please indicate in remarks box.

If ordering a jacket, include a jacket length measurement. This is similar to #1, but measure to the middle of the seat.

If you have any questions call us on the 800 number. **We can help.**

Credit Card Payment:

Name on card: _____

Mastercard Visa _____

Card Number

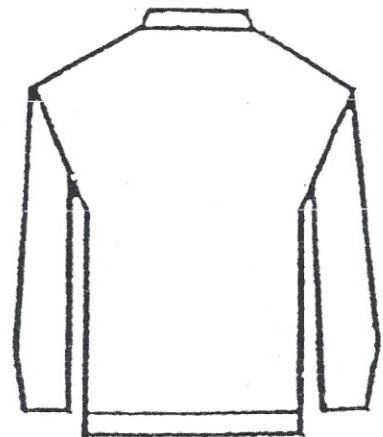
Expiry Date: _____ (3 Numbers on back of card)

Front



Special Designs

Back



We're proud to be second, our customers come first!